



FUJICA... Photography's Finest Family

FUJI PHOTO OPTICAL PRODUCTS CO., INC.

A subsidiary of Ehrenreich Photo-Optical Industries Inc.
623, Stewart Ave., Garden City, New York.

Printed in Japan J11



FUJICA V2 OWNER'S MANUAL



FUJICA'S BROAD BAND LIGHT SENSING SYSTEM... automatically extends your picture-taking pleasure.

Previous to the Fujica V2, if you wanted to take correctly exposed pictures under all kinds of lighting conditions, from the very dim to the very bright, you needed two things...a good hand held light meter and a relatively expensive camera. You would "read the light" with your meter and then manually set the shutter speed and lens opening in the camera.

The Fujica V2 eliminates this procedure and at the same time extends the range of your picture-taking ability into the extremes of light situations. This capability is called the Fujica Broad Band Light Sensing System.

This exclusive Fujica system has the newest type of CdS (Cadmium Sulphide) photo electric cell built in. It not only automatically "reads the light" from dim to bright, but also automatically sets the correct lens opening for the selected shutter speed.

Since the CdS electric eye is extra sensitive to low light, you'll find your Fujica still capable of taking pictures automatically where the usual automatic would have to switch to manual settings or flash.

Your picture-taking ability is further expanded with Fujica's range of shutter

speeds from 1 full second right up to 1/500th.

If you are technically minded, the following explains how the Fujica differs from other cameras.

In photography, light is measured in quantities called light values or LV. Low light has a low LV number...bright light a high LV number.

The versatility of an automatic camera may be judged by the range of the Light Values to which it will respond, since this indicates the number of different lighting and picture situations it can handle. Many automatics operate within

a Light Value band of LV 6 to LV 17. This is a good range, and covers most picture situations. But...your Fujica V-2 covers a band of LV 2 to LV 18! That's why its automatic exposure system is referred to as "Broad Band". In practical terms, this means a far greater range of automatic picture-taking opportunities.

While most of your picture-taking will probably not require the use of your Fujica's extreme capabilities, when the great picture opportunities happen under difficult conditions, it's wonderful to know that your Fujica will respond...automatically!

FUJICA'S VISIBLE CONTROL CENTER

Simplifies Operation

This unique Fujica feature shows you at a glance all of the factors that make up the picture when you look through the viewfinder. It permits you to make adjustments, if you wish, without removing the camera from your eye.

- Look through the viewfinder and note:
1. You see your subject or scene brightly and clearly, outlined in a glowing golden frame.
 2. You see the shutter speed you have selected as a small but easily read golden numeral in the lower left corner. See page 10 for details.
 3. You see the lens opening set automatically for you by the Fujica's Broad Band Light Sensing System as the black bar rises from the bottom when the shutter release button is pressed. See page 10 for details.

ing System as the black bar rises from the bottom when the shutter release button is pressed. See page 10 for details.

4. **Focusing** is adjusted by means of the rear Focusing Wheel, and is indicated in the golden square in the center of the frame...and parallax is corrected automatically. See page 13 for details.
- In addition, if the light is too bright or too dim for correct exposure, a red warning flag appears over the column of lens opening numbers at the right. This is your signal not to shoot and to "dial" a different shutter speed. See page 10 for the simple details.

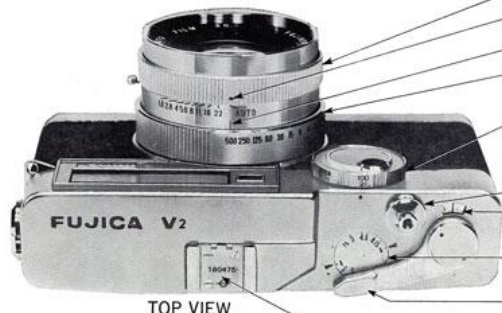
SHOWS ALL SETTINGS

Both Speed and Lens Openings



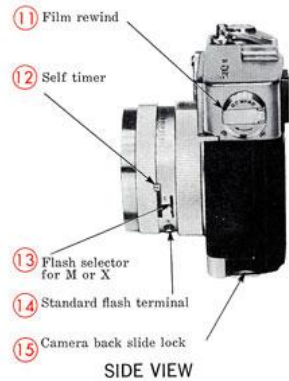
When camera is set at automatic, electric eye bar selects lens opening when shutter release button is pressed.

THE PRECISION FEATURES OF YOUR FUJICA V2



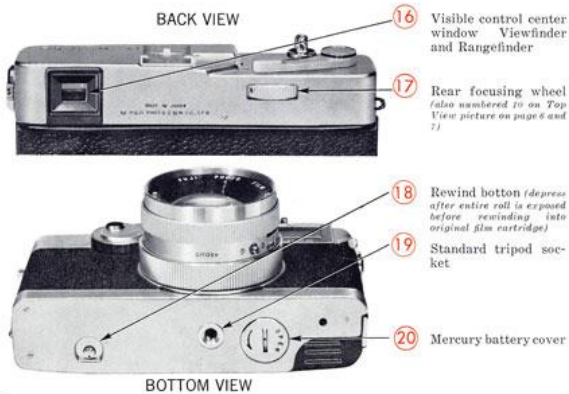
TOP VIEW

- 1 Automatic or Manual Operation
- 2 Lens opening selector ring
- 3 Red dot guide mark for automatic or manual operation
- 4 Shutter speed guide mark (black line)
- 5 Shutter speed selector ring
- 6 Film speed setting ring, ASA or DIN
- 7 Fujica's ultra sensitive electric eye is behind the small, round window on the front of this ring. Do not cover it with your fingers when shooting.
- 8 Shutter release button and close-up light lock
- 9 Exposure counter. Resets itself to "S" (start) when camera back is opened
- 10 Distance scale in both feet and meters. Rotates as you rotate rear focusing wheel
- 11 Single stroke film advance lever
- 12 Accessory Shoe



SIDE VIEW

- 11 Film rewind
- 12 Self timer
- 13 Flash selector for M or X
- 14 Standard flash terminal
- 15 Camera back slide lock



HOW TO USE THE FUJICA V2'S AUTOMATICALLY CORRECT EXPOSURE CONTROL

Set the CdS meter for the ASA number of the film you're using (ASA number is always indicated on the instruction sheet packed with the film). Set the Fujica for automatic operation by turning the Selector Ring to AUTO position, both as previously described.

Select a shutter speed by turning the Speed Selector Ring (No. 4) until the desired speed aligns with the Guide Mark (No. 3). You have an unusually broad range of speeds to choose from...1 second to 1/500 second. Usually, the slower speeds, from 1/60 to 1 second will be used in dim light, and the fast speeds, 1/125 second to 1/500 second, will be used in bright light and for action shots...the faster the action, the faster the shutter speed needed.

For speeds slower than 1/60 second, it is advisable to mount the camera on a tripod or some other steady support to avoid blurring. For speeds of 1/15th

second or slower (any shutter speeds slower than 1/15th second will be indicated in the viewfinder as SLOW) keep button depressed after click until no further shutter sound is heard. For speeds slower than 1 second, see "Time Exposures" on Page 15.

Hold the camera to your eye and press the Shutter Release Button (No. 6). A slight resistance will be felt and a black bar will rise from the bottom of the viewfinder frame to indicate the lens opening which the Broad Band Light Sensing System has set for you. Press the button all the way to take your picture.

If the red warning signal appears in the right side of the viewfinder, this is an indication that proper exposure cannot be made with the shutter speed you have selected. Adjustment can be made without removing the camera from your eye.

10

HOW TO USE THE FUJICA V2 CLOSE-UP LIGHT LOCK

This extremely useful feature lets you capture perfectly exposed pictures under unusual lighting situations. Most typical is the "backlighting" situation as shown in the illustration on this page.

Normally, the Fujica's Broad Band Light Sensing System takes into account ALL the light in the scene for best overall exposure. In this case, however, better exposure will result from selectively exposing for the girl's face, because the brilliant backlight could cause an underexposure of facial detail.

Bring the camera to within a few inches of the important area of the subject. Look through the viewfinder, aim the camera at this area and press the Shutter Release Button until the black bar rises to indicate a lens opening. Don't press the button all the way, or you'll make an accidental exposure.

Hold the button in the partway-down position and back up to your shooting position. Aim, focus and press the button all the way down to take the picture. The girl's features will be correctly exposed, and you'll get the lovely "halo" of backlight that makes this kind of picture so delightful.



Other Situations in which the Close-up Light Lock is Useful

Strong Frontlight-Dark Background
Follow the same procedure as described in the example at left.

Strong Sidelighting
Follow the same procedure except hold the camera close to the bright area, when shooting color, and the shadow area when using black and white film.



12

FOR MANUAL OPERATION

Fujica's Broad Band Light Sensing System can be a very helpful guide for manual settings of shutter speeds and lens openings.

To set the Fujica for manual control of exposure, select a shutter speed in the same manner as for automatic exposures. To select a lens opening, move the Selector Ring (No. 2) off AUTO position to the desired lens opening number.

You have a very broad range of settings: shutter speeds from 1 second to 1/500 second, plus "B" for time exposures, and lens openings from f/1.8 to f/22.

Use the Broad Band Light Sensing System as a check

After you have decided on a combination of shutter speed and lens opening to be set manually, you can switch the Fujica back to automatic operation if you wish to check your settings. Point the camera at your subject and press the

Shutter Release button partway down. The black bar will rise and indicate what lens opening will result in correct exposure based on the shutter speed you selected. If for some reason you wish to deliberately overexpose or underexpose, the automatic system gives you the correct starting point for making your own settings.

Note: The black bar has limited movement when the camera is used manually, and does not indicate the lens opening you have set.

Use Broad Band Light Sensing for "bracketing"

Many photographers prefer to "bracket" their pictures to have a choice of effects. To do this, make the first exposure with the camera set for automatic exposure. Note the lens opening number indicated by the black bar in the viewfinder. Then, set the camera manually one lens opening higher, and make another exposure. Make a third exposure with the camera set manually one lens opening number lower. Choose the slide or negative that gives the most pleasing effect.

14

4. SIMPLE STEPS show you how easy your Fujica is to handle



DO NOT FORGET TO PLACE THE MERCURY BATTERY IN THE COMPARTMENT. (MERCURY BATTERY IS PACKED IN THE CORNER OF STYROFOAM PACKING)

- 1 Set the ASA number of your film in the Film Speed Setting Ring (No. 5) by rotating the Ring until the desired ASA number appears at the top, aligned with the red dot on the camera body. ASA numbers are the large black numerals on the outside of the Ring. The small red numerals on the inside are DIN (European) equivalents. For example, set the Ring at ASA 61, as shown above.
- 2 Set your Fujica for fully automatic operation by turning the Selector Ring (No. 1) to AUTO. Select a shutter speed by turning the Shutter Speed Selector Ring (No. 4) until the desired speed aligns with the Guide Mark (No. 3). For example, set the Selector at "250" as shown above.
- 3 Hold the camera to your eye. The Focusing Wheel (No. 16) will fall naturally under your right thumb. Rotate the Wheel until the golden square in the center of the frame shows a single image...sharp and clear. Further information on focusing is given on page 13.
- 4 Swing the Film Advance Lever (No. 9) fully out and permit it to snap back. This advances the film to an unexposed frame and sets the shutter for the exposure. Press the Shutter Release Button (No. 6) until slight resistance is felt. Note in the viewfinder how the black bar rises from the bottom to point to the lens opening the camera has set for you. Now, press the Shutter Release Button all the way. The soft "click" tells you that you've taken a picture.

At speeds of 1/15th second or slower keep button depressed after click until no further shutter sound is heard.

Practice these simple steps a few times until you get the "feel" of your new Fujica.

9

If the light is dim, release the Shutter Release button and move the Shutter Speed Selector Ring one position *slower* (for example, from 1/250 second to 1/125 second). The new speed will be seen in the lower left corner of the viewfinder. Depress the Shutter Release button again. If the red flag appears again, shift the speed from 1/125th to 1/60th, and so on until the red signal does not appear when you press the button. If you reach 1 second, and the red signal still appears, this is your signal to switch to Flash (see page 19) or to Time Exposure.

If the light is extremely bright and the red signal shows when the button is depressed, increase the shutter speeds to faster instead of slower (for example, from 1/125 second to 1/250 second or from 1/250 to 1/500). It would be an extremely rare situation if the red signal still showed at 1/500 of a second.



11

FOCUSING IS SIMPLE

Parallax is corrected automatically.



OUT OF FOCUS IN FOCUS

When you look through the Fujica's viewfinder, you'll see a golden square in the center of the frame. You'll also notice that the rear Focusing Wheel falls naturally under your right thumb.

When the camera is out-of-focus for a particular subject, a double image appears within the golden square. In the out-of-focus illustration at the left, part of the mast of the boat appears as two images. To focus the camera, rotate the Focusing Wheel with your thumb until the two images in the golden spot merge into one sharp, clear image, as in the in-focus illustration.

Rotating the Focusing Wheel also rotates the Distance Scale (No. 8) on the

top of the camera. You'll find this scale convenient should you wish to determine depth-of-field (see page 21) or setting the camera for flash exposures (see page 19).

Automatic Parallax Correction

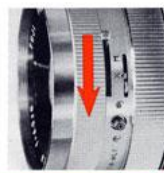
When the Focusing Wheel is rotated, you can observe that the Golden Frame shifts downward and to the right in the Viewfinder Window. Just keep your subject or scene within this Golden Frame and you'll get exactly what you see in the finished picture. This feature eliminates chopped off heads or feet and is very helpful when taking portraits or close-ups of objects.

13

THE SELF-TIMER

To delay exposure, move the Self-Timer Lever (No. 13) downwards before pressing the Shutter Release Button. Moved fully down, it will delay exposure approximately 10 seconds.

This feature is useful two ways. First, with the camera mounted on a tripod, it lets you get into the picture yourself. Secondly, with long exposures when no tripod is available, it gives you a chance to brace yourself steadily before the shutter is released, adding greatly to picture sharpness.



TIME EXPOSURES

For exposures longer than 1 second, move the Shutter Speed Selector to "B" position. Set the lens opening Selector Ring for the desired lens opening (f/stop), anywhere off AUTO position. Mount the camera on a tripod or other support.

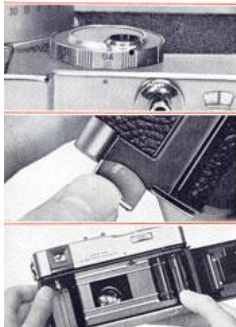
After the Film Advance Lever has been actuated, the shutter will remain open as long as the Shutter Release Button is depressed. It will close as soon as the Button is released.

(The use of a cable release is recommended with time exposures to avoid jarring the camera and blurring the picture. The Fujica's Shutter Release Button is threaded to accept all standard cable releases.)



15

HOW TO LOAD YOUR FUJICA V2



① SET FILM SPEED

Rotate the Film Speed Indicator to match the film speed number on the instruction sheet packed with your film, and line it up with the red dot on top of your camera.

② OPEN BACK

Pull down the Back Slide Lock. The camera back will spring open. Swing it open completely.

③ ROTATE FILM TAKE-UP SPOOL

With your thumb pushing in the direction of the arrow, rotate spool until the slot is clearly visible.

INSERT FILM ROLL ④
Insert any standard 35mm cartridge into the film chamber as shown, with the narrow leader of the film at bottom.



INSERT END OF FILM ⑤
into the Take-Up Spool Slot until it is held securely. The smaller black wheel engage the perforations in the film.



ADVANCE FILM ⑥
While gently holding down the film cartridge with your thumb, press the shutter release and take one full stroke of the film advance trigger. This winds the end of the film around the take-up spool. Close the back.



PRESS SHUTTER RELEASE ⑦
and advance the film trigger. Repeat several times until the number "1" appears in the exposure counter window.



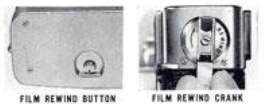
SPECIAL NOTE ABOUT THE LAST EXPOSURE ON THE ROLL

When you have made the last exposure on any roll of film and then try to advance the film lever, you will find that it locks about halfway out. Do not force it any farther. This is your signal that the last exposure has been made. Do not open camera back. The film should then be rewound back into the original cartridge and unloaded from the camera. This is quite simple and done as follows.



HOW TO UNLOAD YOUR FUJICA V2

With the film lever still about halfway out, press the Rewind Release Button (No. 19) which you will find on the bottom of the camera. Keep this button pressed in. Swing out the Film Rewind Crank (No. 12) and turn in the direction of the engraved arrow. You will feel some resistance. Continue winding until no more resistance is felt. You can then open the back by pulling down the back slide lock (No. 21) and lift out the film cartridge. For best photographic results, have the film processed as soon as possible after exposure.



FUJICA'S FLASH-SYNCHRONIZED SHUTTER

Your Fujica's shutter is fully synchronized for flash bulbs and electronic flash at all shutter speeds including 1/500th second.

For Flash Bulb, set the Flash Selector Lever (No. 14) at "M".
For Electronic Flash, set the Flash Selector Lever at "X".

On the instruction sheet packed with your film is its tungsten rating. Refer to the chart below for the guide number based on this film rating and the shutter speed you have selected and set on the shutter speed selector ring. Divide the guide number by the number of feet (or meters) between your flash bulb and the subject and set the lens opening size closest to the number you get. If your flash unit is attached to your camera, the easiest way to determine the distance to your subjects is to focus on the subject and then look at the distance scale (No. 8) on top of the camera.

The chart below shows the flash exposure guide numbers for black and white film and indoor color film based on using #5 or #25 flash bulbs in a 4-5" polished reflector. Set flash selector switch at "M" position.

Tungsten Film Rating	Up to 1/60"	1/125"	1/250"	1/500"
161/160	90(27)	70(21)	50(15)	35(11)
201/200	110(34)	90(27)	70(21)	50(15)
251/250	120(37)	95(29)	75(23)	55(17)
501/500	195(47)	125(38)	95(29)	70(21)
641/640	170(51)	135(41)	105(32)	75(23)
1001/1000	240(73)	190(58)	145(44)	105(32)
1601/1600	340(104)	270(82)	210(64)	150(46)

FLASH Synchronization Table

Class of Bulb	Sync. selector switch	
	M	X
M	All speeds	1/60 sec. or slower
Electric flash	All speeds	All speeds

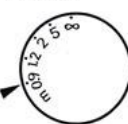
Electronic Flash equipment of all types can be used with the Fujica V2. See the instructions that come with the flash unit for recommended guide numbers.

DEPTH OF FIELD SCALE IN METERS FOR YOUR FUJICA V2

FUJINON 1:1.8 f=45mm Circle of confusion 0.03mm

F ^m	0.9	1.2	1.5	2	2.5	3	5	8	10	∞
1.8	0.88	1.16	1.44	1.89	2.33	2.76	4.4	6.5	7.7	34
2.8	0.964	1.14	1.40	1.83	2.24	2.64	4.1	5.8	6.8	22
3.5	0.855	1.12	1.38	1.79	2.19	2.56	3.9	5.5	6.3	17
4	0.85	1.11	1.36	1.75	2.13	2.48	3.7	5.1	5.9	14
5.6	0.83	1.08	1.32	1.69	2.03	2.35	3.4	4.6	5.2	11
8	0.80	1.04	1.25	1.58	1.88	2.15	3.0	3.9	4.3	7.6
11	0.77	0.99	1.18	1.47	1.72	1.94	2.62	3.3	3.6	5.5
16	0.73	0.91	1.08	1.31	1.51	1.67	2.16	2.6	2.8	3.8
22	0.68	0.84	0.97	1.16	1.31	1.44	1.78	2.1	2.2	2.7

BLACK numerals are METERS



DEPTH OF FIELD SCALE IN FEET FOR YOUR FUJICA V2

FUJINON 1:1.8 f=45mm Circle of confusion 0.03mm

F ^{ft}	3	5	8	10	12	15	20	30	60	∞
1.8	2.92	4.78	7.46	9.17	10.8	13.2	16.9	23.6	39	111
2.8	2.88	4.67	7.19	8.79	10.3	12.4	15.6	21.1	33	71
3.5	2.85	4.59	7.01	8.51	9.91	11.9	14.8	19.6	29	57
4	2.83	4.53	6.89	8.33	9.67	11.4	14.3	18.7	27	50
5.6	2.77	4.39	6.53	7.81	8.97	10.6	12.8	16.3	22.3	36
8	2.68	4.16	6.05	7.13	8.1	9.36	10.8	13.6	17.6	25
11	2.57	3.92	5.55	6.44	7.22	8.21	9.51	11.3	13.9	18.1
16	2.42	3.26	4.87	5.55	6.11	6.8	7.67	8.8	10.3	12.5
22	2.25	3.22	4.25	4.75	4.93	5.66	6.23	6.96	7.87	9.1

RED numerals are FEET



LIGHT FILTERS FOR YOUR FUJICA V2

Filters are discs of colored glass that are attached in front of the lens. They are used primarily to obtain special effects such as accentuating clouds, lightening the tonal value of foliage and for unusual pictures.

Since filters absorb part of the light, compensation must be made to achieve correct exposure. Each filter has a "filter factor" number assigned to it which indicates the amount of light it absorbs. For example, a medium yellow filter has a factor of 2, which means it absorbs half the light. The easiest way to compensate is to divide the ASA number of the film by the filter factor, and set the resulting number in the ASA Selector Ring. (For example, if the ASA of the film you are using is 200 and the filter factor is 2, 200 divided by 2 is 100. Set 100 in the ASA Selector Ring.) Be sure to turn the ASA dial back to the original film speed setting when you remove the filter.

In color photography, two filters are commonly used: Type 85 conversion filter which lets you use tungsten balanced indoor film outdoors, and ultra-violet (UV) or skylight filters (1A) that cut through haze and reduce the over blue effect of shooting in open shade on a bright day. For black and white photography, the chart below gives you information on four popular filters.

D=Daylight T=Tungsten

Filter	Uses	Filter Factor
Y48 (medium yellow)	darken blue sky for cloud effects, lighten foliage, correct rendition of colors in daylight	D 2 T 1.5
O56 (orange)	cuts haze, darken blue sky, for aerial and landscape pictures	D 3 T 2.5
X0 (light green)	outdoor portraits, lightens foliage, correct rendition of colors in tungsten light	D 2 T 1.7
R60 (red)	very dark skies, cuts haze	D 6

HOW TO CARE FOR YOUR FUJICA V2

Avoid touching the lens or electric eye window with your fingers. Fingermarks should be removed promptly with a good lens tissue, wiping the lens lightly. Should dust or particles get inside the camera, remove them with a camel's hair brush or similarly soft hair brush. Never blow into the camera or use a handkerchief for cleaning. Keep camera in case when not in use.

HOW TO CHECK THE MERCURY BATTERY

The mercury battery should last about a year. A quick check is to set the camera on automatic, and the ASA dial at 100. Point the camera at a 75 watt or 100 watt lamp and press the shutter button halfway down a 3 different speeds, 1 second, 1/125th and 1/500th. If the red flag appears at all three settings, the battery needs replacement.

CHANGING THE MERCURY BATTERY

Replace it with a Mallory PX13 or any other identical type. Be sure that the (+) plus mark on the battery is up facing the screw-in cover.

